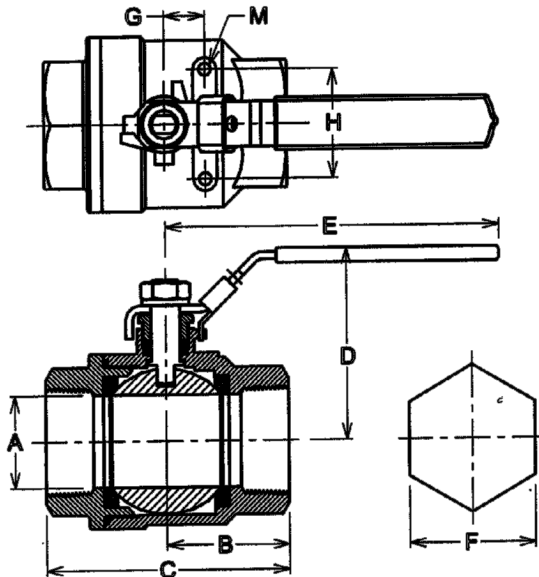
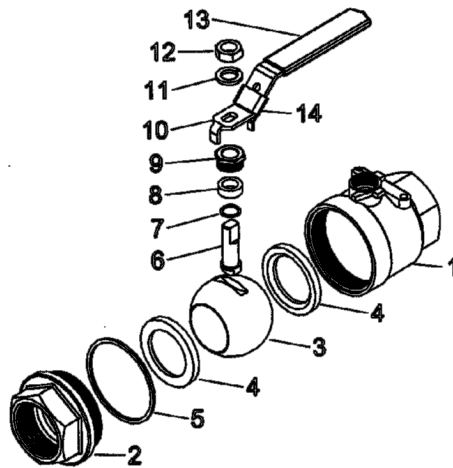




Two-Piece 2000PSI Full Port Threaded Ends Ball Valve Size : 1/4" ~ 2"



DIMENSIONS

UNIT:MM

SIZE	1/4"	3/8"	1/2"	3/4"	1"	1-1/4"	1-1/2"	2"
A	9.6	9.6	12.7	20	25	32	38	50.8
B	27.1	27.1	30.1	35.7	43.7	47.5	57.6	67.5
C	56.8	56.8	61.4	72.5	86	94	116	134
D	54	54	57	64	68	86	92	105
E	100	100	100	122	156	156	156	183
F	22	22	26	32	41	50	55	70
G	12.7		22.1		23.6	23.6	23.6	
H	28.5		34.8		50.8	54	60.3	
M	M6*1				M8*1.25			

FEATURES

1. INVESTMENT CASTING
2. FLOATING BALL
3. LOCKING LEVER HANDLE
4. ACTUATOR MOUNTING PAD
5. THREADS CONFORM TO ANSI B1.20.1, BS21, DIN 259 / 2999

NO.	PART'S NAME	MATERIAL
1	BODY	CF8M
2	CAP	CF8M
3	BALL	AISI 316/CF8M
4	BALL SEAT	PTFE+15%GF
5	JOINT GASKET	PTFE
6	STEM	AISI 316
7	THRUST WASHER	PTFE+15%GF
8	STEM PACKING	GRAPHITE
9	GLAND NUT	A194 Gr.8
10	HANDLE	AISI 304
11	SPRING WASHER	AISI 304
12	STEM NUT	A194 Gr.8
13	HANDLE COVER	PLASTIC
14	LOCKING DEVICE	AISI 304

TEST PRESSURE

SHELL TEST (WATER)	3000PSI
SEAT TEST (WATER)	2200PSI
SEAT TEST (AIR)	85PSI

PRESSURE-TEMPERATURE RATING

