

NEW PRODUCT ANNOUNCEMENT

NEW! Condensate Neutralizer Kit

- Designed to neutralize all acidic condensate produced by condensing water heater models
- Prevents corrosion and damage to the drain lines and sewer system
- Neutralizing agent raises the pH level of the condensate to a neutral range in order to protect the plumbing system and environment
- Manufactured with corrosion resistant materials
- Low profile design - provides ease of installation and can be mounted in a horizontal or vertical position
- Kit can be used with or in place of the built-in neutralizer

Product: Condensate Neutralizer (Residential)
Part #: NC-1

Available:
August 23, 2011

Tankless for Professionals™

Specifications:



Condensate Neutralizer Kit

Dimensions: 13.8" x 4.0" x 3.6"

Weight: 4.4 lbs

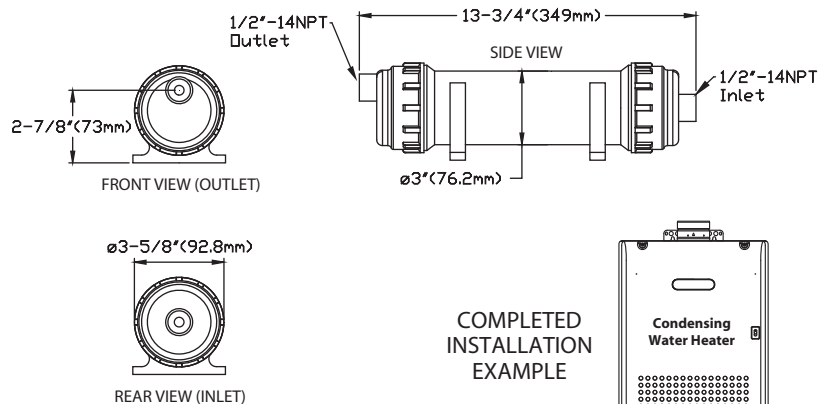
Flow Rate Capacity: 1.6 GPH (400,000 BTU/hr at 93% efficiency)

Volume: 0.26 gal (1 L)

Inlet/Outlet Connections: 1/2"-14NPT threaded ports

Additional Features:

Two 3" fill/access openings, three 1/2" NPT to 1/2" hose barb fittings, 1/2" barbed Y-fitting, six hose clamps, 10 ft. of 1/2" ID vinyl tubing, two base/wall mounting clamps.



* One neutralizer unit can sufficiently treat a maximum of two (2) condensing water heaters in a multi-system.

Internal neutralizing agent must be replaced once a year. See Installation/Operation Manual for details on replacing the media.

