

## C.F.F. SS · SERIES 316 STAINLESS STEEL VALVES

CHECK VALVES



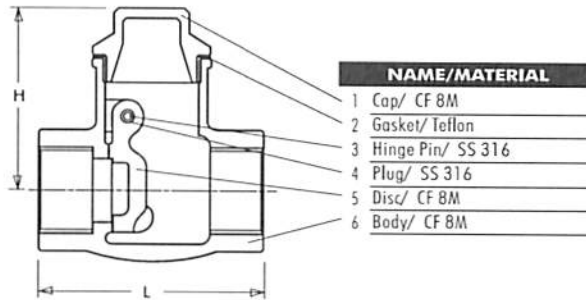
# CHECK

## 1/2" – 2"



- Full Port
- Thread to ANSI B1.20.1 (NPT)
- 200 PSI W.O.G.
- Temperature Rating: 350°F
- Stainless steel class 200 screwed cap.
- Swing type disc.
- Integral seat.

Manufactured in accordance with  
ISO 9002 quality standards.



DIMENSIONS		
Size	(mm) L	(mm) H
1/2"	65	45
3/4"	80	54
1"	90	57
1-1/4"	105	62
1-1/2"	120	72
2"	140	78

Design and materials are subject to change without notice.