



Z5340

20" x 18" Wall Hung Lavatory

TAG _____



Z5340 Series

- 20" [508 mm] x 18" [457 mm]
- Vitreous china
- Faucet holes for single, 4", or 8" centers
- Wall hung lavatory provided with wall hanger or for use with concealed arm carrier systems
- Front overflow
- Waste: 1-1/4" O.D.
- Depth: 5-3/4"
- Shipping Weight: 42 lbs.

Z5340 Series

Suffix Options:

- ___ **-CB** Cast ductile bracket.
- ___ **-PED** Vitreous china half pedestal

Recommended Trim:

- Z8743-PC** Grid Strainer.
- Z8700** Series P-Trap.
- Z8800** Series Stop with Flexible Supplies.
- Z8946-1-NT** ADA Trap, Stop, and Supply Protectors.

Optional Trim:

- Z8746-PC** ADA Grid Strainer.
- Z8946-3-NT** ADA Trap, Stop, and Supply Protectors for Offset Grid Strainers.

These dimensions and specifications are subject to change without notice.

Fixture dimensions meet ANSI/ASME standard A112.19.2 and CAN/CSA B45 requirements.

Meets the American Disabilities Guidelines and ANSI A117.1 requirements when lavatory is installed 34" [864mm] from finished floor.



Engineering Specification:

- Z5341** 20" x 18" vitreous china wall hung lavatory with single faucet hole. Provided with hanger plate and holes for concealed arm carrier systems.
- Z5344** 20" x 18" vitreous china wall hung lavatory with 4" center faucet holes. Provided with hanger plate and holes for concealed arm carrier systems.
- Z5348** 20" x 18" vitreous china wall hung lavatory with 8" center faucet holes. Provided with hanger plate and holes for concealed arm carrier systems.

This space is for Architectural/engineering Approval

See Zurn One Systems for suggested packages.

Zurn Plumbing Products Group Commercial Brass and Fixtures Operation
2640 South Work Street · Falconer, NY 14733 · Phone: 716-665-1132 · Fax: 716-665-1135 · www.zurn.com



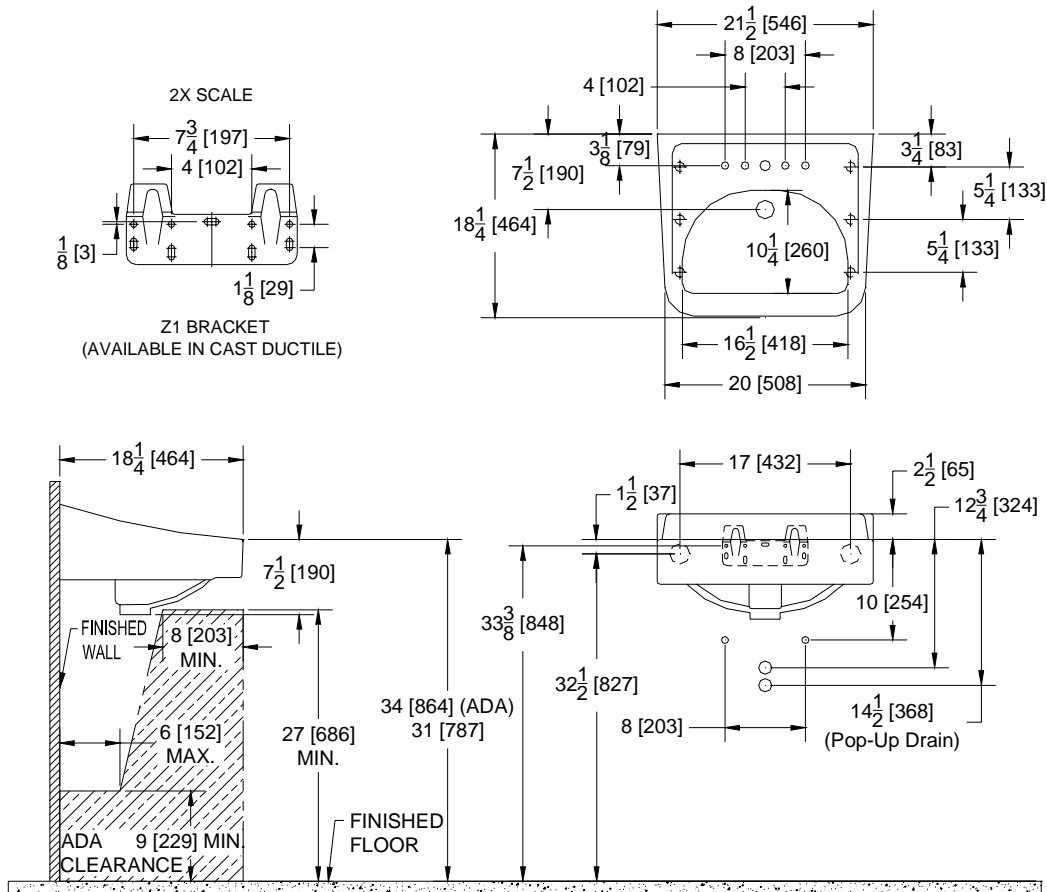
Z5340

20" x 18" Wall Hung Lavatory Rough-In

TAG _____

Rough-in dimensions for Z5340 Series

- Z5341 Lavatory with single faucet hole
- Z5344 Lavatory with 4" center faucet holes
- Z5348 Lavatory with 8" center faucet holes



These dimensions and specifications are subject to change without notice.

Fixture dimensions meet ANSI/ASME standard A112.19.2 and CAN/CSA B45 requirements.

Meets the American Disabilities Guidelines and ANSI A117.1 requirements when lavatory is installed 34" [864mm] from finished floor.



Note: Rough-in for concealed arm carrier, see Zurn Z-1231 Rough-in sheet.

Zurn Plumbing Products Group Commercial Brass and Fixtures Operation
2640 South Work Street · Falconer, NY 14733 · Phone: 716-665-1132 · Fax: 716-665-1135 · www.zurn.com



AquaSense Sensor Faucet



Suffix Options (Check/Specify Appropriate Options)

- _____ -A 2.0 GPM Vandal Resistant Aerator
- _____ -C 2.2 GPM Laminar Flow Control
- _____ -F .5 GPM Vandal Resistant Aerator
- _____ -IA3 Inlet Adaptor (3/8"[10] compression)
- _____ -MJ Mini Junction Box
- _____ -MT Mixing Tee
- _____ -MV Temperature Mixing Valve
- _____ -SH Supply Hoses for Mixing Valve
- _____ -SSH Single Supply Hose
- _____ -TMV Thermostatic Mixing Valve for Multiple Faucets
- _____ -TMV-1 Thermostatic Mixing Valve for Single Faucets
- _____ Other

Z6915 AquaSense Battery Powered Faucet

ENGINEERING SPECIFICATION: The Z6915 sensor faucet is a battery powered sensor faucet with an integral four inch cover plate for retrofit and new construction. The faucet incorporates an infrared convergence-type proximity sensor into the chrome plated cast brass spout. The faucet is furnished complete with sensor module, spout module and in-line filter, 4 "AA" batteries, a 1.5 GPM vandal resistant aerator and an inlet for a 1/2"[13] ball riser supply hose. Sensor range is factory set for optimum performance.

Z6915-ACA AquaSense Plug-In Powered Faucet

ENGINEERING SPECIFICATION: The Z6915-ACA sensor faucet is a plug-in powered electronic sensor faucet with an integral four inch cover plate for retrofit and new construction. The faucet incorporates an infrared convergence-type proximity sensor into the chrome plated cast brass spout. The faucet is furnished complete with sensor module, spout module, in-line filter, a 1.5 GPM vandal resistant aerator, 6 VDC plug-in power converter and an inlet for a 1/2"[13] ball riser or supply hose. Also included are 4 'AA' batteries that provide battery backup power to the faucet during power outages. Sensor range is factory set for optimum performance.

Z6915-CWB AquaSense Hardwire Powered Faucet

ENGINEERING SPECIFICATION: The Z6915-CWB sensor faucet is a hardwired electronic sensor faucet with an integral four inch cover plate for retrofit and new construction. The faucet incorporates an infrared convergence-type proximity sensor into the chrome plated cast brass spout. The faucet is furnished complete with sensor module, spout module, in-line filter, a 1.5 GPM vandal resistant aerator, connecting wire to power converter and an inlet for a 1/2"[13] ball riser or supply hose. Also included are 4 'AA' batteries that provide battery backup power to the faucet during power outages. Sensor range is factory set for optimum performance.

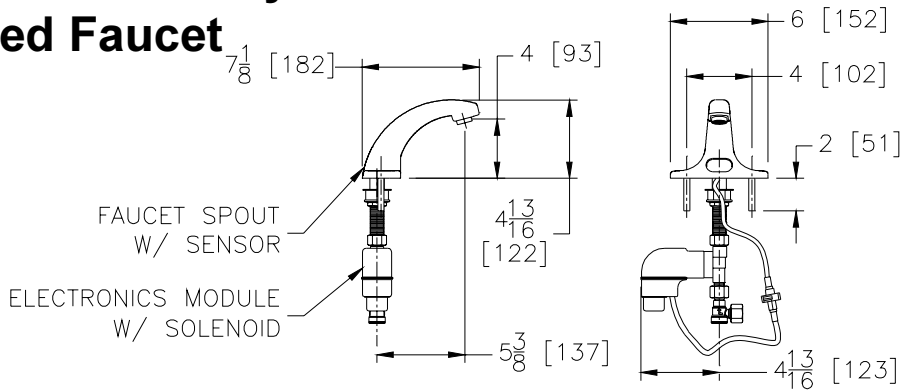
NOTE: For Hardwire applications furnish P6900-HW6 power converter. The P6900-HW6 will power up to 8 sensor faucets. Order P6900-HW6 power converter seperately.

ZURN INDUSTRIES, INC. ♦ COMMERCIAL BRASS OPERATION ♦ 5900 ELWIN BUCHANAN DRIVE ♦ SANFORD NC 27330

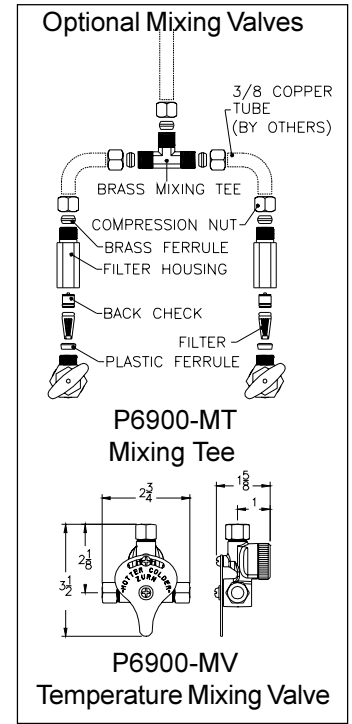
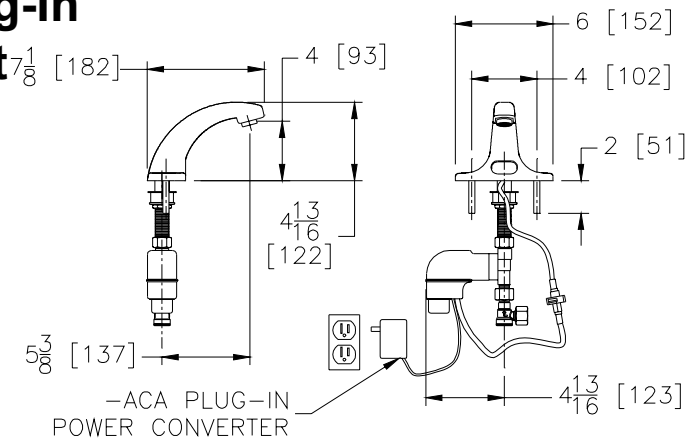
Phone: 1-800-997-3876 ♦ Fax: 919-775-3541 ♦ World Wide Web: www.zurn.com

In Canada: ZURN INDUSTRIES LIMITED ♦ 3544 Nashua Drive ♦ Mississauga, Ontario L4V1L2 ♦ Phone: 905-405-8272 Fax: 905-405-1292

TYPICAL Z6915 AquaSense Battery Powered Faucet

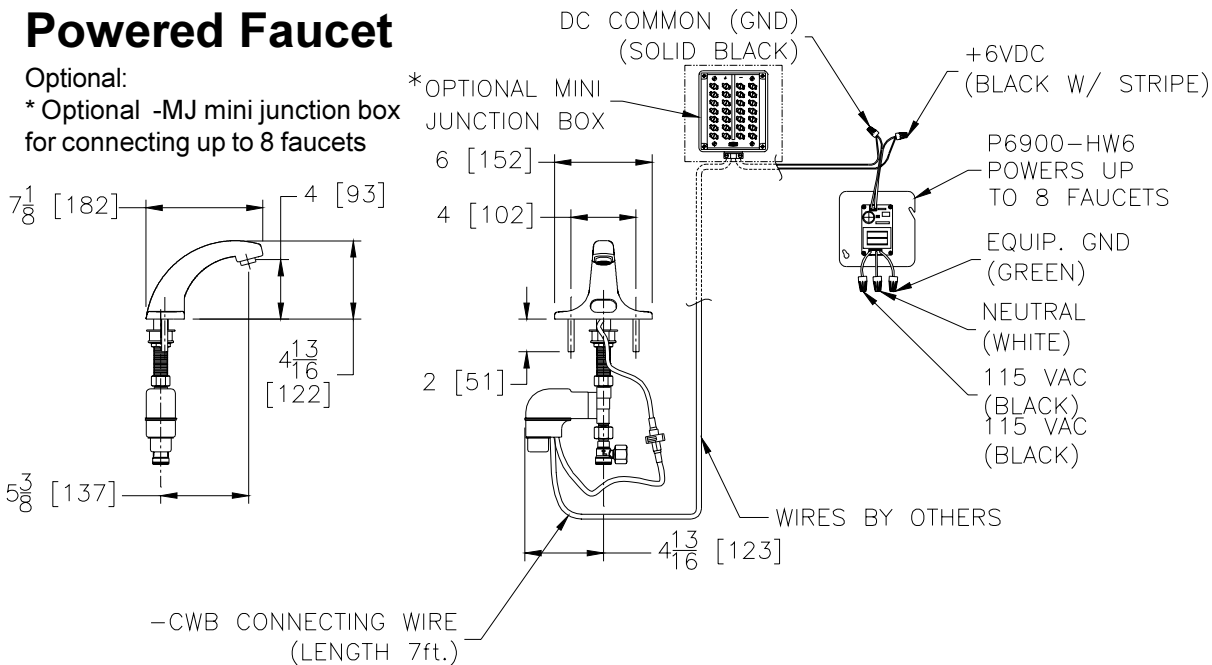


TYPICAL Z6915-ACA AquaSense Plug-In Powered Faucet



TYPICAL Z6915-CWB AquaSense Hardwire Powered Faucet

Optional:
* Optional -MJ mini junction box for connecting up to 8 faucets



ZURN INDUSTRIES, INC. ♦ COMMERCIAL BRASS OPERATION ♦ 5900 ELWIN BUCHANAN DRIVE ♦ SANFORD NC 27330
Phone: 1-800-997-3876 ♦ Fax: 919-775-3541 ♦ World Wide Web: www.zurn.com
In Canada: ZURN INDUSTRIES LIMITED ♦ 3544 Nashua Drive ♦ Mississauga, Ontario L4V1L2 ♦ Phone: 905-405-8272 Fax: 905-405-1292

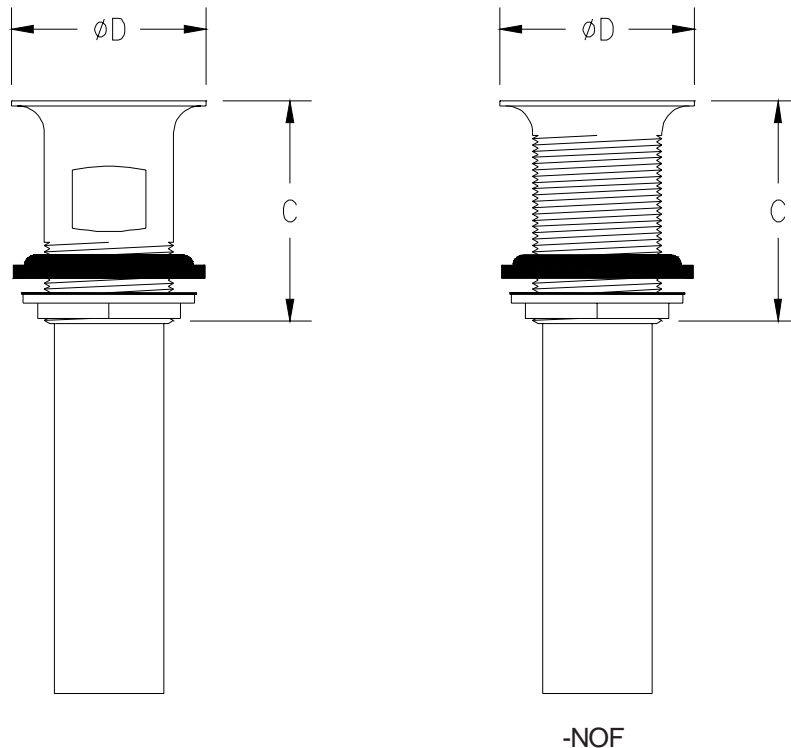


SOLID TOP, OPEN-GRID P.O. PLUGS

Z8743-PC

TAG _____

Engineering Specification: Zurn Z8743-PC – Cast brass solid top, open grid, P.O. plug with 5[127] 17 gauge tailpiece and cast brass locknut for sink depth up to 2 1/4[57]. 6-, 8-, 10- and 12- tailpieces available.



Note: All dimensions are for reference only. Do not use for pre-plumbing

PRODUCT NUMBER	TAILPIECE	DIMENSIONS		MASTER CARTON	WEIGHT CARTON
		C	ØD		
Z8743-PC	1 1/4[32]	2 9/16[65]	2 1/4[57]	30	30
Z8743-1-PC	1 1/2[38]	2 9/16[65]	2 1/4[57]	30	30

OPTIONAL ACCESSORIES

Suffix	Description
_____	-NOF No Overflow (PC Only)
_____	-PB Polished Brass
_____	-6 w/6[152] Tailpiece
_____	-8 w/8[203] Tailpiece
_____	-12 w/12[305] Tailpiece

ZURN INDUSTRIES, INC. ♦ COMMERCIAL BRASS OPERATION ♦ 2640 SOUTH WORK STREET ♦ FALCONER NY 14733

Phone: 1-716-665-1132 ♦ Fax: 1-716-665-1135 ♦ World Wide Web: www.zurn.com

In Canada: ZURN INDUSTRIES LIMITED ♦ 3544 Nashua Drive ♦ Mississauga, Ontario L4V1L2 ♦ Phone: 905/405-8272 Fax: 905/405-1292

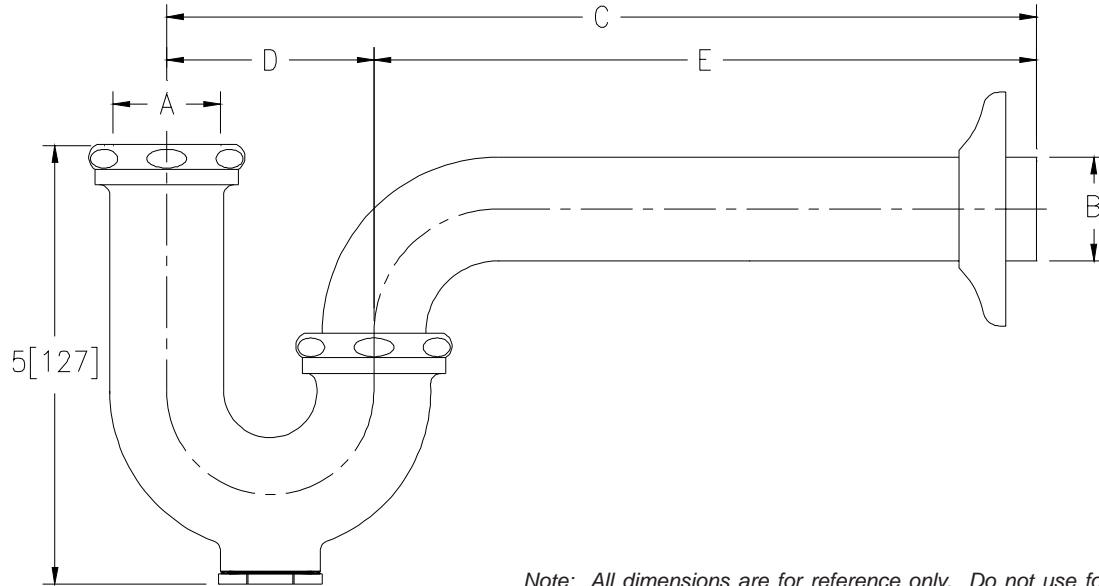


SEMI-CAST P-TRAPS WITH WALL BEND

Z8700-PC - Z8708-PC

TAG _____

Engineering Specification: Zurn Z8700-PC to Z8708-PC. – Chrome-plated cast body P-trap with cleanout, tubular wall bend as specified, die-cast nuts, and shallow escutcheon with compression inlet.



Note: All dimensions are for reference only. Do not use for pre-plumbing.

PRODUCT NUMBER	A INLET in[mm]	B OUTLET in[mm]	GAUGE	DIMENSIONS			MASTER CARTON	WEIGHT CARTON [lbs]
				C in[mm]	D in[mm]	E in[mm]		
Z8700-PC	1 1/4[32]	1 1/4[32]	17	10[254]	2 1/2[64]	7 1/2[191]	12	24
Z8700-8-PC	1 1/4[32]	1 1/4[32]	17	11[279]	2 1/2[64]	8 1/2[216]	12	24
Z8701-PC	1 1/4[32]	1 1/2[38]	17	10 1/2[267]	3[76]	7 1/2[191]	12	24
Z8701-9-PC	1 1/4[32]	1 1/2[38]	17	12[305]	3[76]	9[229]	12	24
Z8702-PC	1 1/2[38]	1 1/2[38]	17	10 1/2[267]	3[76]	7 1/2[191]	12	24
Z8702-9-PC	1 1/2[38]	1 1/2[38]	17	12[305]	3[76]	9[229]	12	24
Z8703B-PC**	1 1/2[38]	2[51]	17	10[254]	3[76]	9[229]	12	34
Z8704B-PC**	2[51]	2[51]	17	10[254]	3[76]	9[229]	12	34
Z8706-PC	1 1/4[32]	1 1/4[32]	20	10[254]	2 1/2[64]	7 1/2[191]	12	20
Z8707-PC	1 1/4[32]	1 1/2[38]	20	10 1/2[267]	3[76]	7 1/2[191]	12	20
Z8708-PC	1 1/2[38]	1 1/2[38]	20	10 1/2[267]	3[76]	7 1/2[191]	12	20

OPTIONAL ACCESSORIES

Suffix	Description
____ -B	Brass Nuts
____ -BX	Box Escutcheon
____ -CE	Cast Brass Escutcheon with Setscrew
____ -D	Deep Escutcheon
____ -J	Metal to Metal Ground Joint Connection (Available only on Z8700-PC, Z8700-8-PC, Z8701-PC, Z8701-9-PC, Z8702-PC, Z8702-9-PC)
____ -15	15[381] C Dim. 1 1/4[32] and 1 1/2[38] Only
____ -18	18[457] C Dim. 1 1/4[32] and 1 1/2[38] Only

** SHIPPED WITH BRASS NUTS UNLESS OTHERWISE SPECIFIED

ZURN INDUSTRIES, INC. ♦ COMMERCIAL BRASS OPERATION ♦ 2640 SOUTH WORK STREET ♦ FALCONER NY 14733

Phone: 1-716-665-1132 ♦ Fax: 1-716-665-1135 ♦ World Wide Web: www.zurn.com

In Canada: ZURN INDUSTRIES LIMITED ♦ 3544 Nashua Drive ♦ Mississauga, Ontario L4V1L2 ♦ Phone: 905/405-8272 Fax: 905/405-1292



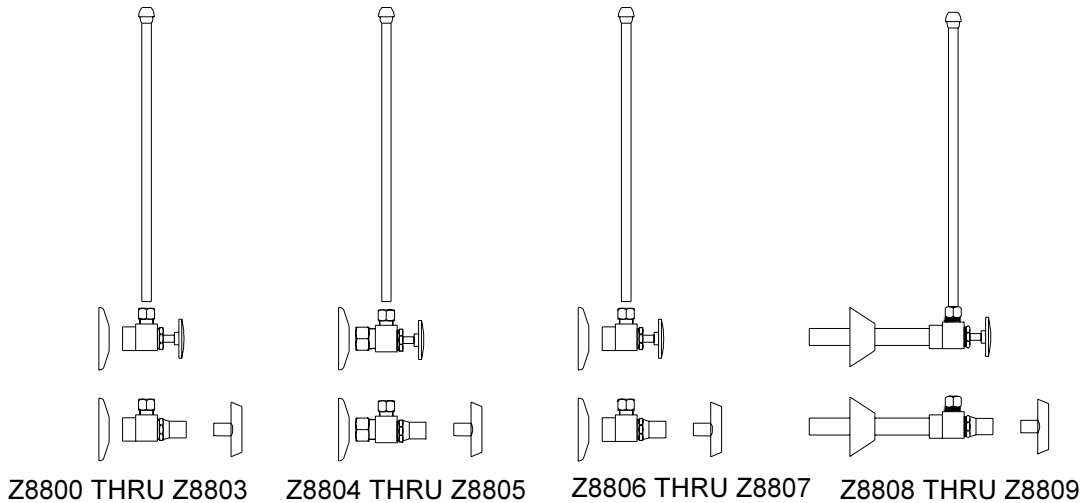
Z8800LR - Z8809LR

STANDARD STOP WITH FLEXIBLE LAVATORY SUPPLY



TAG _____

Dimensional Data (inches and [mm]) are Subject to Manufacturing Tolerances and Change Without Notice



SUFFIXES

- _____ - **C1** Standard Line Lock Shield Cap
- _____ - **CE** Chrome Plated, Cast Brass, Setscrew
- _____ - **D** Chrome Plated Steel, Deep Bell Flange (Bell Type)
- _____ - **WE** Wrot Brass, Deep Flange, (Bell Type)
- _____ - **XP** Cross Handle
- _____ - **-3** 3[76] Nipple
- _____ - **-5** 5[127] Nipple

Engineering Specification: Zurn Z8800LR to Z8809LR Two Zurn chrome plated, solid brass angle stops with round wheel handles or loose key as specified, two 12[305] flexible chrome plated copper lavatory risers complete with two chrome plated steel flanges. Z8808LR and Z8809LR include 5[127] chrome plated copper extension tubes.

PRODUCT NUMBER	CONNECTIONS	EXT.	MASTER CARTON	WEIGHT CARTON	
				LR	LRLK
Z-8800LR	3/8 [10] IPS x 3/8 [10] OD	-	25	24	
Z8800LRLK	3/8 [10] IPS x 3/8 [10] OD	-	25		25
Z8801LR	3/8 [10] IPS x 1/2 [13] OD	-	25	24	
Z8801LRLK	3/8 [10] IPS x 1/2 [13] OD	-	25		25
Z8802LR	1/2 [13] IPS x 3/8 [10] OD	-	25	24	
Z8802LRLK	1/2 [13] IPS x 3/8 [10] OD	-	25		25
Z8803LR	1/2 [13] IPS x 1/2 [13] OD	-	25	24	
Z8803LRLK	1/2 [13] IPS x 1/2 [13] OD	-	25		25
Z8804LR	1/2 [13] NOM x 3/8 [10] OD	-	25	24	
Z8804LRLK	1/2 [13] NOM x 3/8 [10] OD	-	25		25
Z8805LR	1/2 [13] NOM x 1/2 [13] OD	-	25	24	
Z8805LRLK	1/2 [13] NOM x 1/2 [13] OD	-	25		25
Z8806LR	1/2 [13] SWT x 3/8 [10] OD	-	25	24	
Z8806LRLK	1/2 [13] SWT x 3/8 [10] OD	-	25		25
Z8807LR	1/2 [13] SWT x 1/2 [13] OD	-	25	24	
Z8807LRLK	1/2 [13] SWT x 1/2 [13] OD	-	25		25
Z8808LR	1/2 [13] SWT x 3/8 [10] OD	5	25	28	
Z8808LRLK	1/2 [13] SWT x 3/8 [10] OD	5	25		30
Z8809LR	1/2 [13] SWT x 1/2 [13] OD	5	25	28	
Z8809LRLK	1/2 [13] SWT x 1/2 [13] OD	5	25		30

*CSA APPROVED EXCEPT FOR Z8803
 *REGULARLY FURNISHED UNLESS OTHERWISE SPECIFIED

REV. B DATE: 7/16/02 C.N. NO. 88661
DWG. NO. 60968 PRODNO. Z8800LR-Z8809LR